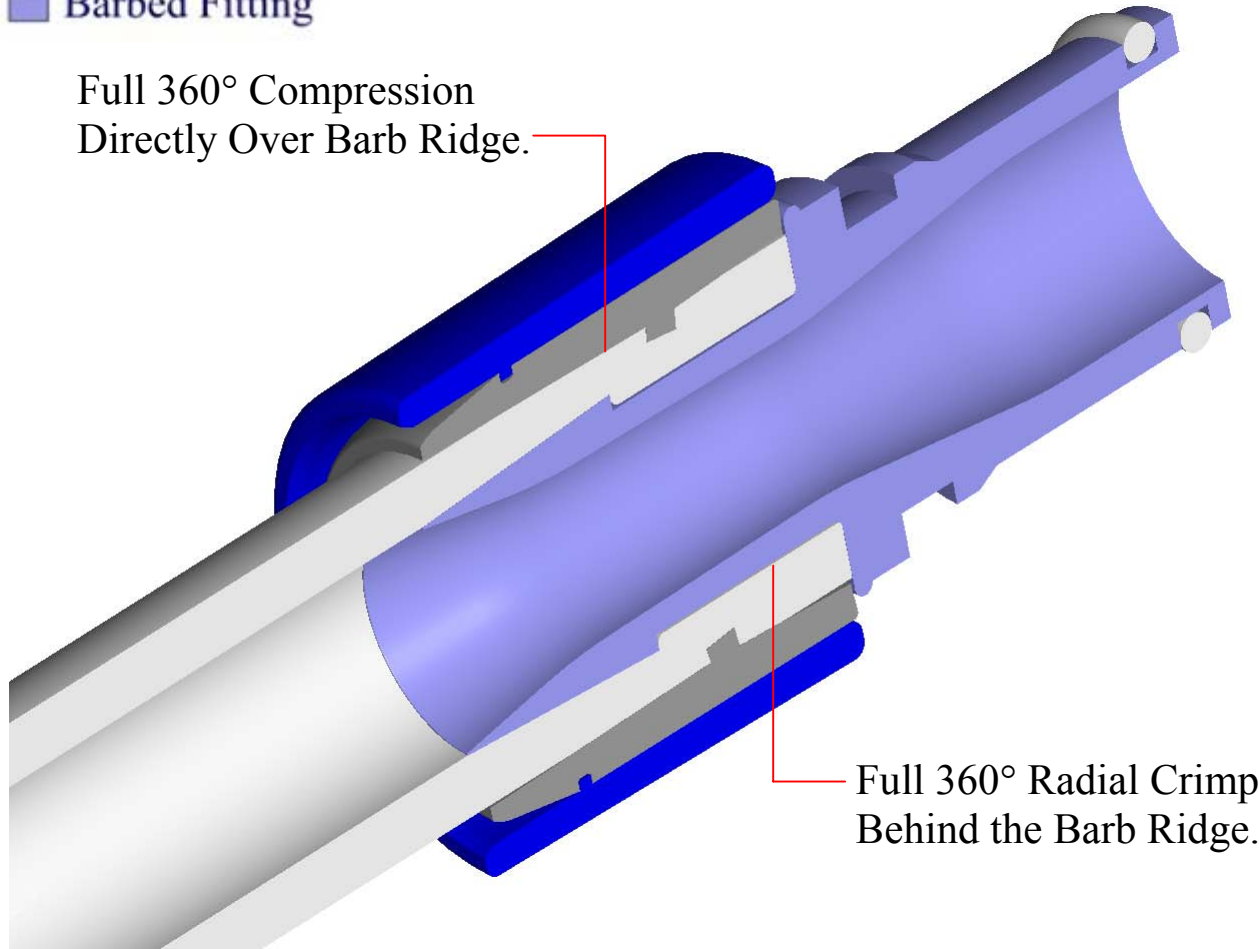


Page 1.0

BarbLock Retainer Section View:

- BarbLock Sleeve
- BarbLock Collet
- Tubing
- Barbed Fitting

Full 360° Compression  
Directly Over Barb Ridge.



Full 360° Radial Crimp  
Behind the Barb Ridge.

**BarbLock**<sup>®</sup> retainers are the most advanced patented sealing product available anywhere in the world. When it comes to retaining flexible tubing and hose onto barbed fittings, **BarbLock**<sup>®</sup> is the only retainer system with a full 360 degree radial crimp behind the barb and 360 degree of compression directly over the barb's ridge. **BarbLock**<sup>®</sup> has become the standard in many industries because it solves inherent leak path problems for demanding environments. With "The Full Margin of Safety," **BarbLock**<sup>®</sup> is the only retainer system that adds relief to the barb portion of the fitting. **BarbLock**<sup>®</sup> is made from a high performance polypropylene that meets non-corrosive requirements. **BarbLock**<sup>®</sup> is also available in high temperature materials for thermally demanding environments.